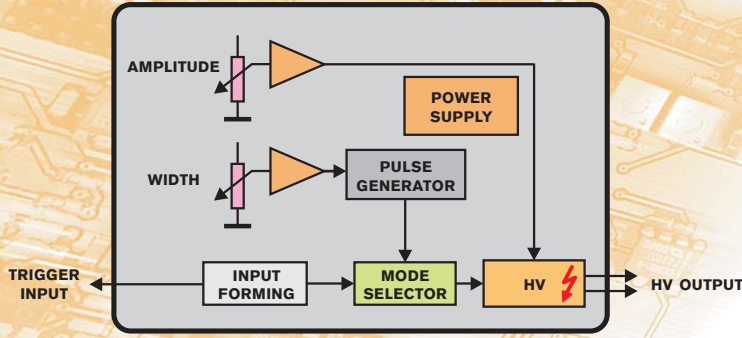




High Voltage Pulse Generator Model HVGP 2001

High Voltage Supplies



Parameters

Output amplitude	1 to 2 kV
Monitor output	TTL
Max current output	5 mA
Variable pulse width	1 to 50 ms
Fix pulse width	5 ms
Max trigger input level	40 V
Trigger input threshold	7 V
HV output connectors	HV-BNC
Trigger input connector	BNC receptacle
Monitor output connector	BNC receptacle
Power	230 VAC, 50/60 Hz
Dimensions	250 × 75 × 200 mm
Weight	2 kg



HVGP 2001 is a small and portable high voltage generator. It generates HV output pulses with regulated amplitude and temporal width. There are two modes of operation: single pulse mode and repetition mode. Auxiliary TTL output yields pulse-width monitoring. High voltage output is galvanic insulated and leads into centres of two BNC sockets.

The single pulse is triggered by the input pulse. Moreover, the desired temporal width of the pulse can be selected in 5 ms increments. The device is mounted in a plastic housing.