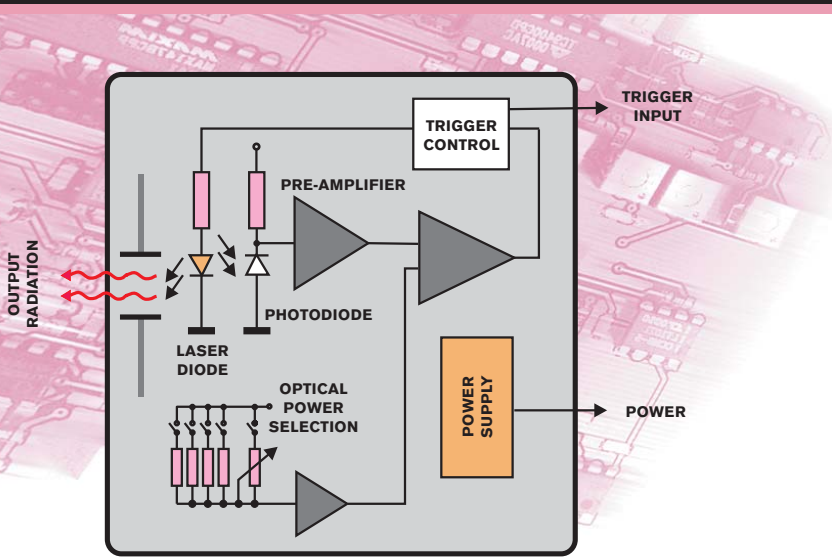




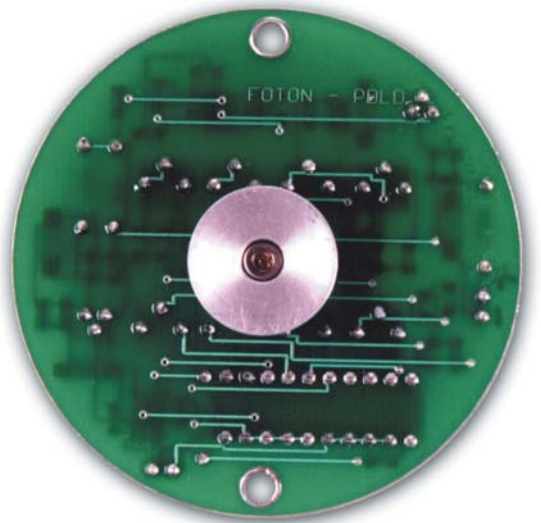
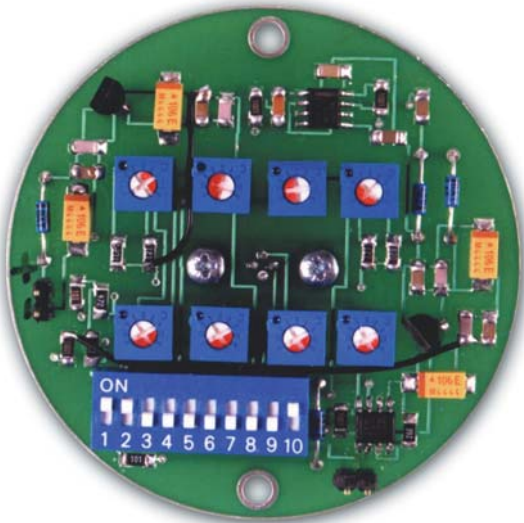
Optical Generator Model PDL 1310

Optical Generators and Photodetectors



Parameters

Output wavelength	1310 nm
Output optical power	1-2-5-8 mW (discretely) 0 to 8 mW (continuously)
Trigger	manual/external
Regimes	basic stabilised output optical power
Connectors	SMB/BNC
Power	9 VDC
Max current consumption	45 mA
Dimensions	Ø64 × 40 mm
Weight	0.5 kg



PDL 1310 generates infrared laser radiation. Its spectral line has multipeak structure. The core of the system is based on an IR laser diode with stabilised output optical power. This device was developed for measurement and testing of IR optical components, alignment of IR optical systems and testing of IR detectors.