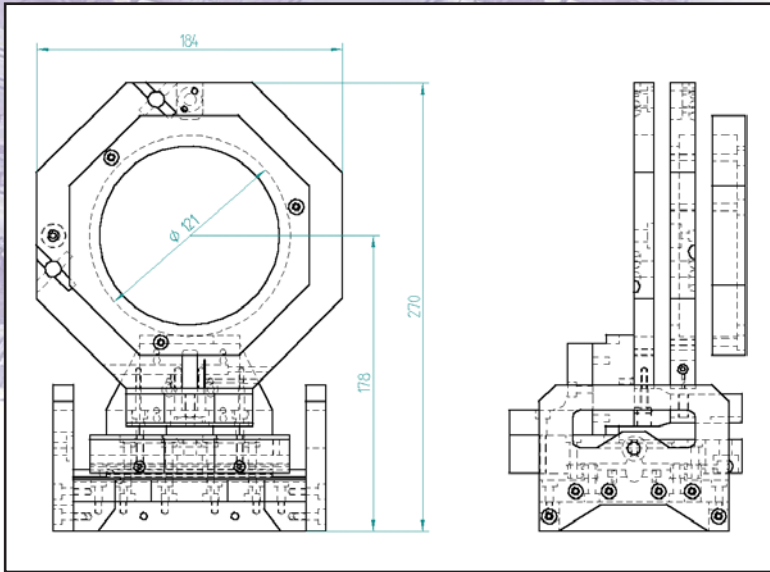




Optical Mount Model OMS 120

Optomechanics



Parameters

X-axis		
Travel range	±15 mm	
Mechanical resolution	0.9 μm/°	
Y-axis		
Travel range	±10 mm	
Mechanical resolution	0.9 μm/°	
Yaw (Θ_y)	±6°	
Pitch (Θ_x)	±3°	
Outer mounting diameter	Ø120 mm	
Optical aperture	Ø109 mm	
Off-plane height	178 mm	



OMS 120 is an optical mount for non-standard optical lens with outer diameter of 120 mm. It has a 4-axis movement capability: 2 linear displacements (x, y directions) and 2 independent angular positioning. The system can be mounted on the standard optical rail or table. The mount is fabricated from aluminium and murytal.

